



AIRFLOW AC

AIRFLOW AC MIDDLE EAST FZE-LLC

Www.airflowac.me, Email:- airflowacme@gmail.com

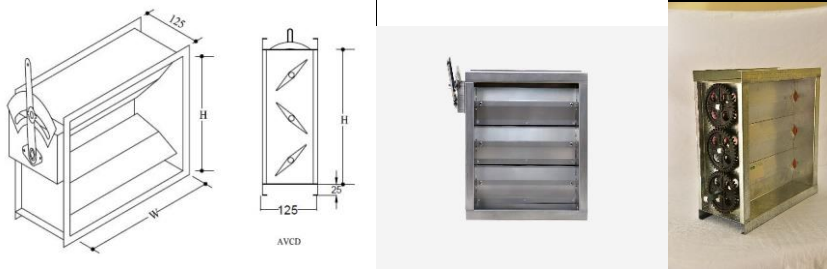
HVAC Volume Control Dampers

Volume Control damper is widely used in heating, ventilation, and air-conditioning applications (HVAC Damper) in order to maintain or control the air volume inside the duct. These dampers facilitate the air flow to each zone and each room to be controlled during testing & commissioning. The blades may be parallel or opposed type depending on the requirement.

Volume control damper can be mounted either horizontally or vertically. However, care should be taken to mount the damper, by orienting the blades in the direction of the desired airflow. **Airflowac** provides several types of volume control dampers to choose from. This model – **Airflowac VCD** is the most commonly used model in majority of the projects

Model--Airflowac VCD

- Airflowac VCD-Flange



- Airflowac VCD-SC



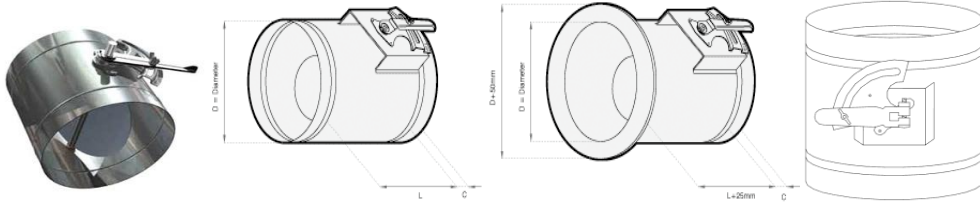
- Airflowac VCD-plain



AIRFLOW AC Products--Volume control Dampers, Sound Attenuators, Non Return Dampers, Round VCD, Rings, Access doors, Bypass VAV, C Patti, Fire dampers, Pressure independent VAV, Acoustic Louvers, S Patti. Square Diffusers, Round Diffusers, Slot Diffusers, Disc valves, SS Diffusers & SS Grills, Air Grills, Linear bar grills, Jet Nozzles, Sand Trap louvers, EAL& FAL, Aluminium filters, Synthetic filters, MS Ducting, SS Ducting, Aluminium Ducting, GI Ducting. Acrylic Sealant (Grey& White), Strip Bush, Loose Bush, Square Bush, Round Bush, Gear Wheels, Aluminium tapes, Foam gaskets.



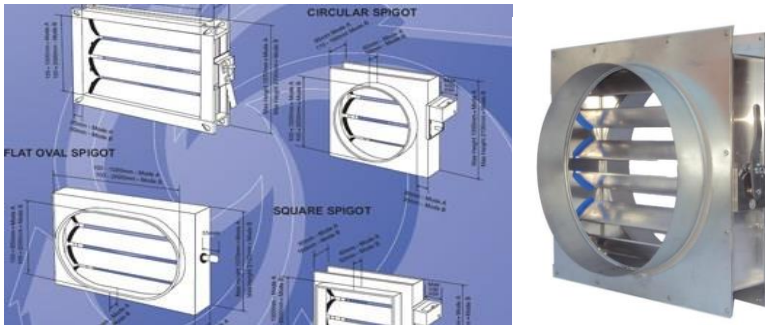
- Airflowac VCD-RVCD



- Airflowac VCD-Oval



- Airflowac VCD-Spigot



- Airflow RVCD-Multiple Blade





AIRFLOW AC

AIRFLOW AC Middle East FZE-LLC

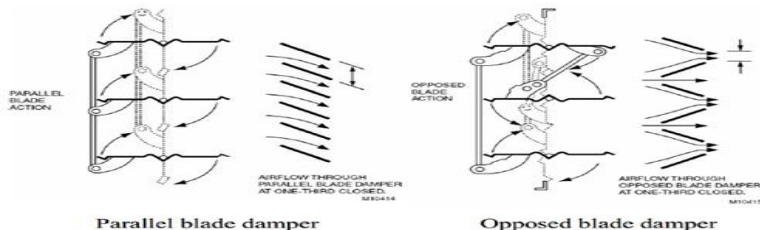
Www.airflowac.me, Email:- airflowacme@gmail.com

Construction:

- Frame: High-quality Galvanized Steel sheet of thickness 0.9mm to 2mm (GI, MS,SS) as standard.
- Frame size: 100 to 200 mm depth and standard flange height of 20 to 50 mm.
- Blades: Double skinned high quality extruded Aluminium aerofoil profiles and Optinal: GI, MS, and SS, Aluminium (3V Blade and Double skin).
- Driveshaft: Electro-plated square rod of size 12.7mm x 12.7mm.
- Bushings: Self-lubricating nylon bushings.
- Blade linkage: Nylon gear and linkage gi
- Handle: Galvanized Steel locking hand quadrant.
- Blade stopper: L angle of thickness 0.7mm.
- **Airflowac** Volume Control Dampers are specially designed for use in heating, ventilating and air conditioning systems.
- Constructed from high quality G.I & SS & MS Sheets
- Joints are welded and protected by aluminium spray coating to prevent rusting.
- Blades are coupled by toothed nylon gears which provides opposed blade operation.
- Hand locking quadrant is provided with clear open/close indication and three intermediate open positions (1/4 – 1/2 – 3/4).
- Foam gasket is sealed across the blade edges to minimize air leakage between the blades.
- Flanged edges are supplied un-drilled as standard.
- Dampers without flanges available as option for duct insertion purpose – refer Model. **Airflowac VCD-SC& Airflowac VCD-Plain**

Optional Accessories:

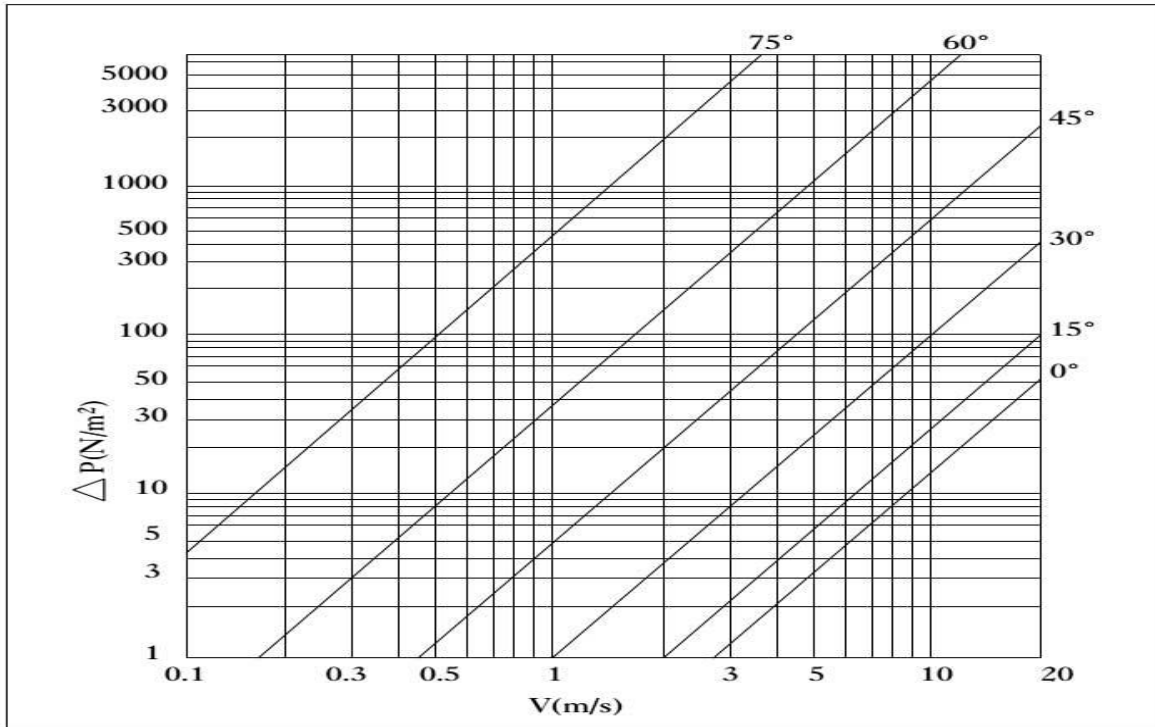
- Frame: Thickness up to 2mm on request. Aluminium frame available for light weight applications.
- Handle: Cast Aluminium.
- Bush: Brass bush, S.S. Ball Bearing.
- Gear Wheel: Aluminium Alloy.
- Blade: Low leakage: S.S Jamb seal, Nylon blade end caps



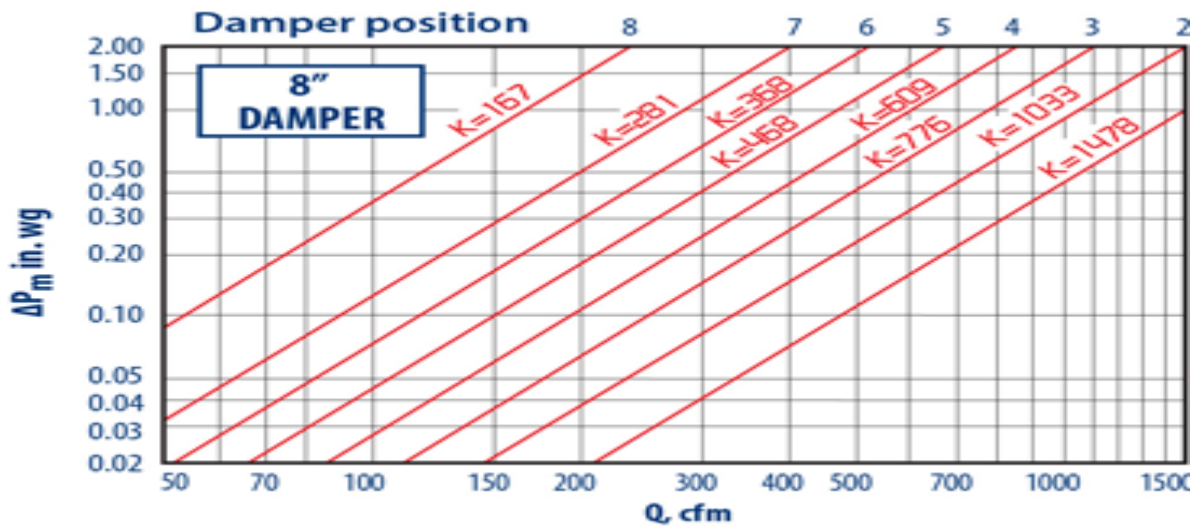
AIRFLOW AC Products--Volume control Dampers, Sound Attenuators, Non Return Dampers, Round VCD, Rings, Access doors, Bypass VAV, C Patti, Fire dampers, Pressure independent VAV, Acoustic Louvers, S Patti. Square Diffusers, Round Diffusers, Slot Diffusers, Disc valves, SS Diffusers & SS Grills, Air Grills, Linear bar grills, Jet Nozzles, Sand Trap louvers, EAL& FAL, Aluminium filters, Synthetic filters, MS Ducting, SS Ducting, Aluminium Ducting, GI Ducting. Acrylic Sealant (Grey& White), Strip Bush, Loose Bush, Square Bush, Round Bush, Gear Wheels, Aluminium tapes, Foam gaskets.



Performance Chart



Pressure drop - Rectangular VCD aerofoil type blades



AIRFLOW AC Products--Volume control Dampers, Sound Attenuators, Non Return Dampers, Round VCD, Rings, Access doors, Bypass VAV, C Patti, Fire dampers, Pressure independent VAV, Acoustic Louvers, S Patti. Square Diffusers, Round Diffusers, Slot Diffusers, Disc valves, SS Diffusers & SS Grills, Air Grills, Linear bar grills, Jet Nozzles, Sand Trap louvers, EAL& FAL, Aluminium filters, Synthetic filters, MS Ducting, SS Ducting, Aluminium Ducting, GI Ducting. Acrylic Sealant (Grey & White), Strip Bush, Loose Bush, Square Bush, Round Bush, Gear Wheels, Aluminium tapes, Foam gaskets.



AIRFLOW AC

AIRFLOW AC Middle East FZE-LLC

Www.airflowac.me, Email:- airflowacme@gmail.com

Pre-Insulated Volume Control Damper:

Description:

Product Description Volume Control damper is widely used in heating, ventilation and air-conditioning applications (HVAC Damper) in order to maintain or control the air volume inside the duct. These dampers facilitate the air flow to each zone and each room to be controlled during testing & commissioning. The blades may be parallel or opposed type depending on the requirement. Volume control damper can be mounted either horizontally or vertically. However, care should be taken to mount the damper, by orienting the blades in the direction of the desired airflow. **Airflowac** Pre-Insulated volume control damper is made of high quality Pre-Insulated board for light weight applications. It is mainly used in places where pre-insulated ducts are used.

Construction

- Frame: - 20mm thick polyurethane material with 2-sides Aluminium foil facing.
- Frame Size: 200mm depth with flanges for side-fixing.
- Blades: - Double skinned high quality extruded Aluminium aerofoil profiles.
- Drive Shaft: Electro plated square rod of size 12.7mm x 12.7mm.
- Bushing: Self-lubricating nylon bushings.
- Blade linkage: Nylon Gear.
- Blade stopper: G.I angle of thickness 0.7mm.
- Handle: Galvanized Steel locking hand quadrant.
- Designed for use in heating, ventilating and air conditioning systems in open/limited access areas and light weight applications.
- The edges are joined using special glue and silicon.
- Blades are coupled by toothed nylon gears which provides opposed blade operation.
- Hand locking quadrant is provided with clear open/close indication and three intermediate open positions (1/4 – 1/2 – 3/4)
- Foam gasket is sealed across the blade edges to minimize air leakage between the blades
- Options: Frame: Thickness up to 25mm available upon request.
- Handle: Cast Aluminium. Bush: Brass bush. Gear Wheel: Aluminium Alloy.



AIRFLOW AC Products--Volume control Dampers, Sound Attenuators, Non Return Dampers, Round VCD, Rings, Access doors, Bypass VAV, C Patti, Fire dampers, Pressure independent VAV, Acoustic Louvers, S Patti. Square Diffusers, Round Diffusers, Slot Diffusers, Disc valves, SS Diffusers & SS Grills, Air Grills, Linear bar grills, Jet Nozzles, Sand Trap louvers, EAL& FAL, Aluminium filters, Synthetic filters, MS Ducting, SS Ducting, Aluminium Ducting, GI Ducting. Acrylic Sealant (Grey& White), Strip Bush, Loose Bush, Square Bush, Round Bush, Gear Wheels, Aluminium tapes, Foam gaskets.